

Addendum to H-58-11-AMAM-09 Freewheeling Clutch Cone Set

Task 6-5-7 : FREEWHEELING UNIT - INSTALLATION (Cont) [6 of 10]

6-5-7. Freewheeling Unit — Installation (Cont)

Warning

FLIGHT SAFETY CRITICAL AIRCRAFT PART (FSCAP)

Correct installation of cone set and spacer is a characteristic critical to flight safety.

Warning

To prevent damage to accessory drive gears and output shaft, cone set shall not be allowed to become unseated.

38. Install cone set (31) in groove (32) on aft end of output shaft assembly (17). Ensure both halves of cone set are properly seated in groove of output shaft. Ensure beveled edge of cone set is facing aft.

Note

- The following step applies to the 407-style cone sets only. The 407 cone set is identified by part number 407-040-548-101 and includes a packing groove on the beveled edge of the cone set.

39. If using the 407-style cone set, install packing (54) in groove on cone set (31). otherwise, proceed to Step 40.

Warning

To prevent failure of freewheeling unit, spacer (33) shall be fully seated on cone set (31).

40. Install spacer (33) on output shaft assembly (17) and mate with cone set (31).

Warning

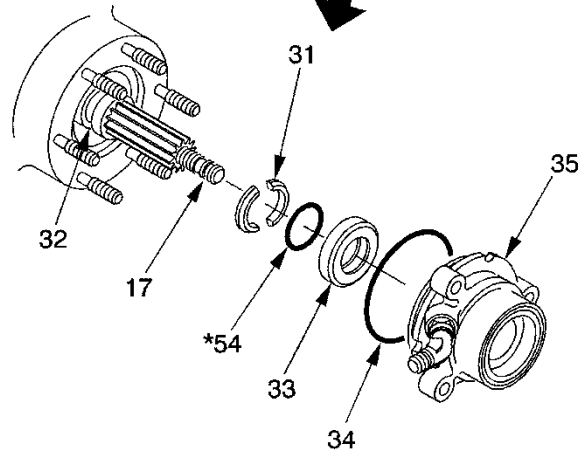
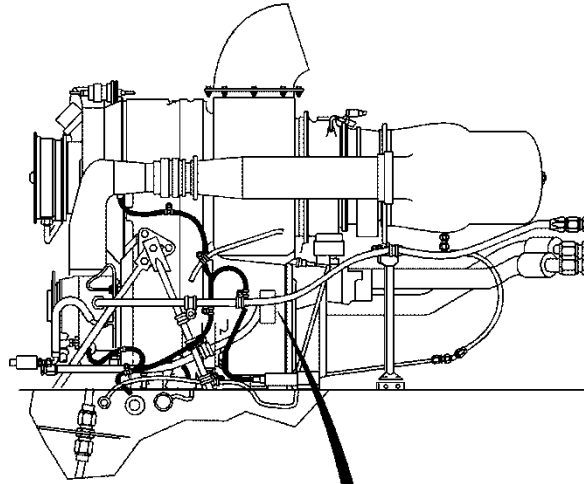


Lubricating Oil

41. Lubricate packing (34) with lubricating oil (D-159) or (D-161).

Addendum to H-58-11-AMAM-09 Freewheeling Clutch Cone Set

(SEE 009500 143 1 07486-09)



*407 - STYLE SPLIT CONES ONLY

406040-143-1
.13486